

Product description

Two electro-galvanised steel brackets separated by a vibration absorber. The ceiling hangers and wall mounts effectively insulate against vibrations/sound transmissions in the audible frequency range.

Application

Ceiling hangers are used for sound insulation in connection with suspended flat plaster ceilings. The hangers are constructed to bear the load and to vibration-proof the plaster ceiling from the existing ceiling. Wall mounts are used for fastening sound-insulating staggered walls.

Attenuation

Field measurements show that the sound-insulating ceiling improves sound insulation in upper-storey floors by up to 10 dB. The sound reduction index $R'w$ is typically 58 - 60 dB after proper installation of the ceiling, but depends on the existing ceiling construction.

A sound-insulating staggered wall reduces airborne transmitted noise by 8-12 dB, depending on the existing wall construction.

Advantages

- The ceiling hanger and wall mount insulate optimally against airborne noise.
- Fireproof construction. Cladding class 1 (DS 1065.2)
- Easy to install and can cover up irregularities in the existing ceiling and wall



Installation

The sound ceiling should hang freely without direct contact with the existing ceiling, walls, pipe penetrations, etc. The sound-insulating wall is mounted without direct contact with existing walls, ceiling and pipe penetrations, etc. Joints between the acoustic ceiling and walls, pipes, wires, etc. are sealed with an elastic sealant.

Usage

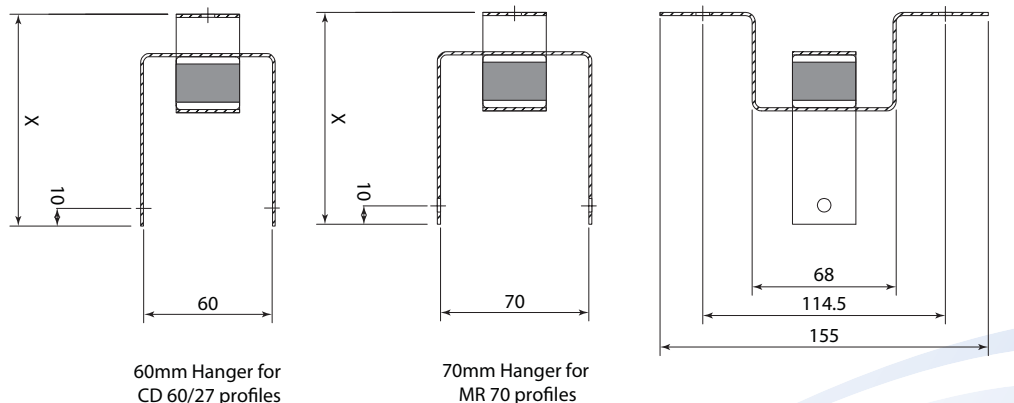
Approx. 1.4 ceiling hangers per m^2 of ceiling with 2 layers of plasterboard (~Load: approx. 18 kg/hanger).

Approx. 1.5 ceiling hangers per m^2 of ceiling with 3 layers of plasterboard (~Load: approx. 23 kg/hanger).

Approx. 4.5 wall mounts per linear meter of wall (ceiling height 2.5 – 3.1m).

Note

Dimension X can be between 65 and 1200mm



General

The fittings are delivered unassembled and consist of the following components:

Ceiling hangers: 1 Ceiling brace, vibration absorber incl. 2 screws and strap with a length from 65 - 1200mm

Wall mounts: 1 wall brace, 2 vibration absorbers incl. 1 screw, 1 set-screw and strap with a length from 65 - 1200mm

It is also important to include the following in the design:

All joints must be soundproof at walls and penetrations.

Joints are sealed with an elastic sealant.

Light fixtures and the like, which penetrate the ceiling, need to be fitted with a soundproof superstructure.

If heavier items are suspended from the ceiling, additional ceiling hangers need to be installed to accommodate the increased load.

(Each hanger can have a max. load of 28 kg.)

If a staggered wall will bear an additional load from heavier items, etc., additional wall mounts should be installed.

