

# Quick-Lift Arm

QL A 100i

**Intelligent lifting device which meets the highest standards of ergonomics, working environment, safety and efficiency.**

Unique integrated mechanical, electric, pneumatic swivel simplifies use and minimizes maintenance.

Easy to use thanks to outstanding responsiveness, regardless of load weight.

Exceptional safety achieved using our intelligent control systems.

The best auto balance available regardless of load weight.

High reliability and low power consumption results in superior cost efficiency.

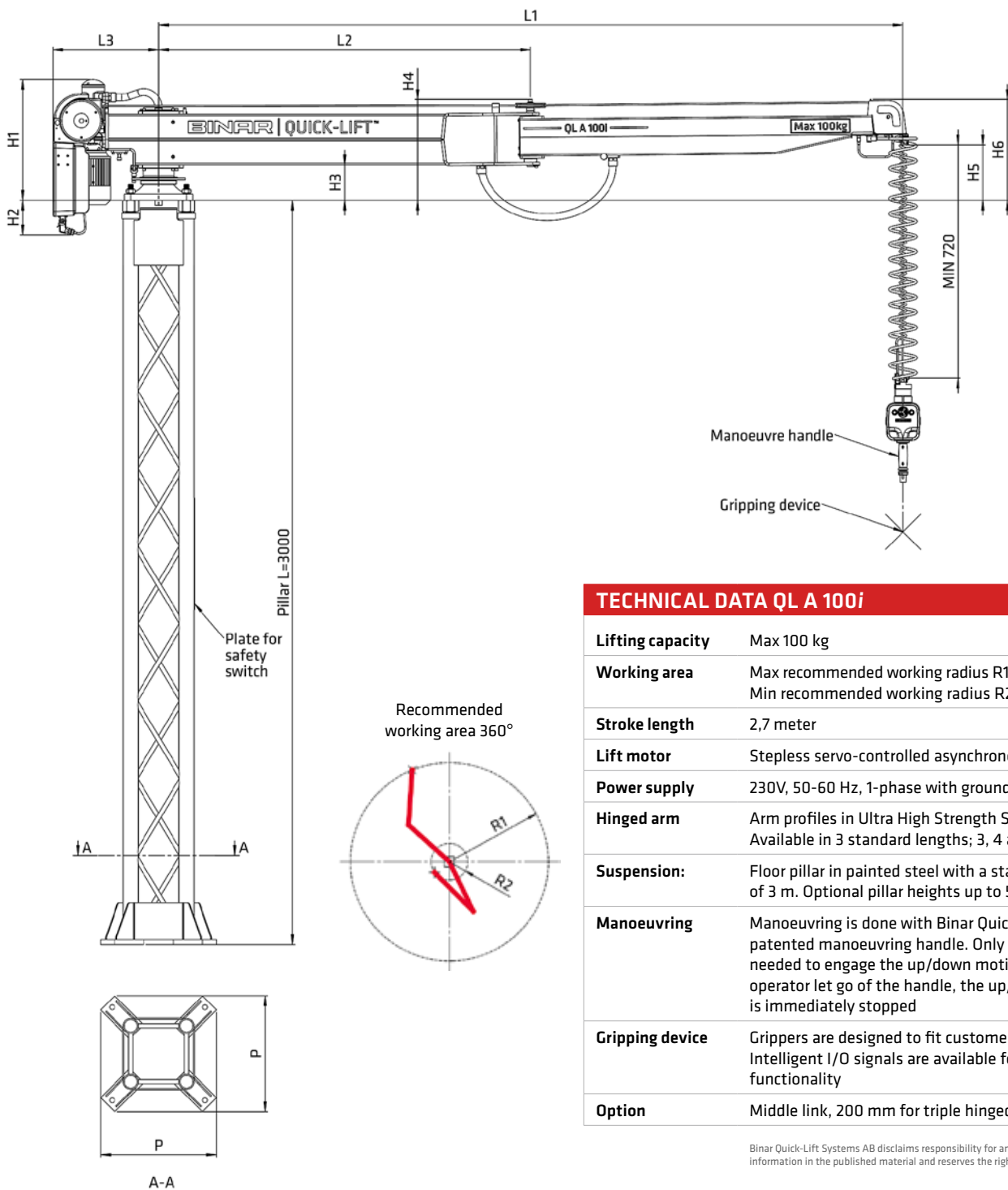


**BINAR**

*Improving your productivity*

# Quick-Lift Arm

# QL A 100i



## TECHNICAL DATA QL A 100i

<b>Lifting capacity</b>	Max 100 kg
<b>Working area</b>	Max recommended working radius R1 = L1 - 300 mm Min recommended working radius R2 = See chart
<b>Stroke length</b>	2,7 meter
<b>Lift motor</b>	Stepless servo-controlled asynchronous motor.
<b>Power supply</b>	230V, 50-60 Hz, 1-phase with ground protection, 10A
<b>Hinged arm</b>	Arm profiles in Ultra High Strength Steel (UHSS) Available in 3 standard lengths; 3, 4 and 5 m
<b>Suspension:</b>	Floor pillar in painted steel with a standard height of 3 m. Optional pillar heights up to 5 m
<b>Manoeuvring</b>	Manoeuvring is done with Binar Quick-Lifts patented manoeuvring handle. Only a small force is needed to engage the up/down motion. When the operator let go of the handle, the up/down motion is immediately stopped
<b>Gripping device</b>	Grippers are designed to fit customers need. Intelligent I/O signals are available for optimum functionality
<b>Option</b>	Middle link, 200 mm for triple hinged arm

Binar Quick-Lift Systems AB disclaims responsibility for any errors or incomplete information in the published material and reserves the right to make changes.

Part.no	L1	L2	L3	H1	H2	H3	H4	H5	H6	P	R1	R2
013601	3000	1500	426	487	140	144	407	224	407	467	2700	500
013602	4000	2000	470	549	118	144	458	258	456	467	3700	900
013603	5000	2500	470	549	118	144	458	262	460	467	4700	1000

Pillar and manoeuvring handle are ordered separately.

### Binar Quick-Lift Systems AB

Box 2014 • SE-461 11 TROLLHÄTTAN • Sweden  
 ph +46 (0)520 47 40 00 • fax +46 (0)520 47 40 05  
 e-mail info@binar.se • web www.binarquicklift.se

2015-09-21 eng 2.01

# BINAR

Improving your productivity